



Description

KNOT is a collection of stately pendent lights that appose two dramatically dissimilar materials. The design combines coarse natural fibre with smooth, transparent handblown glass to arouse a contrast as striking as it is dignified.

Tech. description

The light comprises a glass shade, glass diffuser, metal component with LED module, and linen rope and is suspended from the ceiling canopy with a special bracket. The bottom section of the light is engineered as SELV.

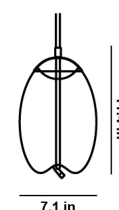


Available colour options: <https://mbapi.cz/red/pis/us/en/us1036>

CONSTRUCTION SPECIFICATION

Weight:	6,4 lb
Construction material:	glass, metal, linen rope
Cord length [in]:	Individual, max. 196.85 "
Mounting:	Ceiling
Environment:	Dry

DIMENSIONS [in]

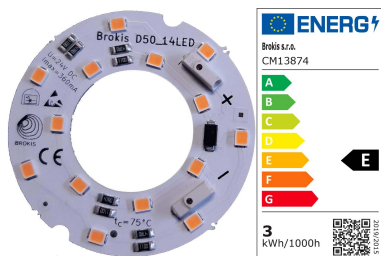


ELECTRICAL SPECIFICATION

Input voltage [V]:	100 - 240 V
Frequency [Hz]:	50-60 Hz
Max. power [W]:	8 W
Coverage IP:	20
Socket:	-
Light source:	LED module

CERTIFICATIONS





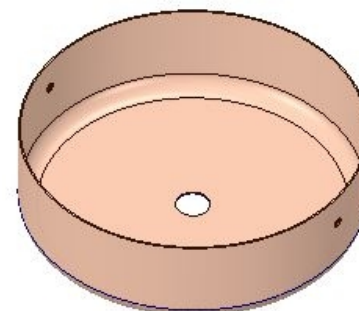
CM13874 LED MODUL_D50_14LED_RA90_3,4W_ KNOT small uovo CV 2700K DNA

Type	LED module
Lamp wattage [W]	3,4 W
Input voltage [V]	24 VDC
Energy class	E
Flux [lm]	425 lm
Light colour [K]	2700 K
CRI	93
Dimmable	yes

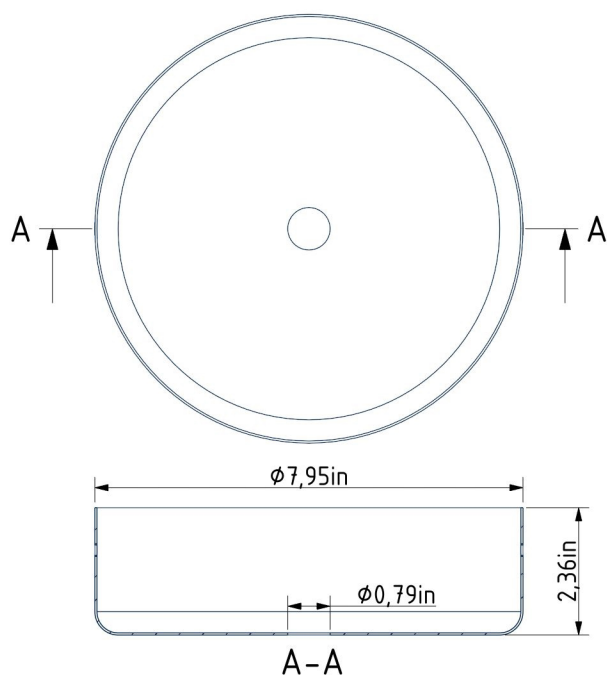


INNER FIXTURE

Dimensions O x w [in]	7.95 x 2.36
Weight [lb]	2.5 lb
Material	metal



Drawing



Hole placement

