

DATASHEET

Type: **KNOT**
Name: Pendant light
ID: US1019
Designed by: Chiamonte Marin



Download

Description

KNOT is a collection of stately pendent lights that appose two dramatically dissimilar materials. The design combines coarse natural fibre with smooth, transparent handblown glass to arouse a contrast as striking as it is dignified.

Tech. description

The light comprises a glass shade, glass diffuser, metal component with LED module, and linen rope and is suspended from the ceiling canopy with a special bracket. The bottom section of the light is engineered as SELV.

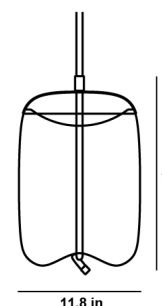


Available colour options: <https://mbapi.cz/red/pis/us/en/us1019>

CONSTRUCTION SPECIFICATION

Weight: 15.43 lb
Construction material: glass, metal, linen rope
Cord length [in]: Individual, max. 196.85 "
Mounting: Ceiling
Environment: Dry

DIMENSIONS [in]



ELECTRICAL SPECIFICATION

Input voltage [V]: 100 - 240 V
Frequency [Hz]: 50-60 Hz
Max. power [W]: 14 W
Coverage IP: 20
Socket: -
Light source: LED module

CERTIFICATIONS

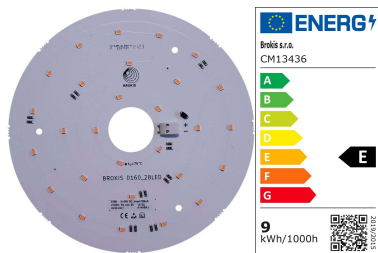


BROKIS S.R.O.
ŠPANIĚLOVA 1315/25
163 00 PRAHA 6 - ŘEPY
CZECH REPUBLIC

ORG ID 64940799
VAT ID CZ64940799
C 42174 MĚSTSKÝ SOUD
V PRAZE

TEL +420 567 211 517
TECHNICAL@BROKIS.CZ
INFO@BROKIS.CZ
WWW.BROKIS.CZ

2022_06
PAGE 1



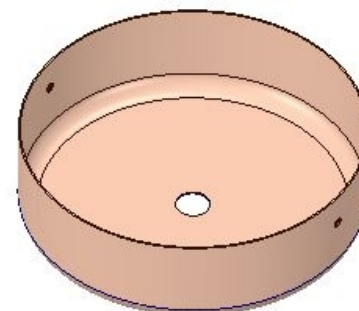
CM13436 LED MODUL_D160_28LED_RA90_ 9W_KNOT cilindro CV 2700K DNA

Type	LED module
Lamp wattage [W]	8,9 W
Input voltage [V]	24 VDC
Energy class	E
Flux [lm]	1170 lm
Light colour [K]	2700 K
CRI	93
Dimmable	yes

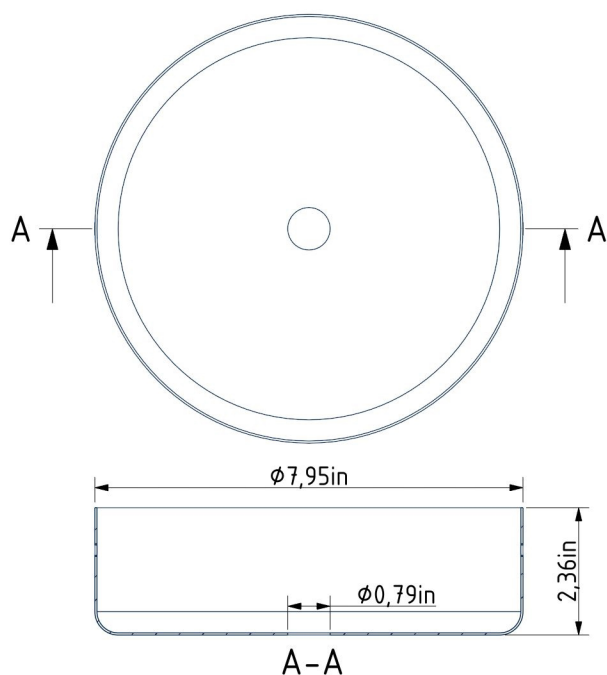


INNER FIXTURE

Dimensions O x w [in] 7.95 x 2.36
Weight [lb] 2.5 lb
Material metal



Drawing



Hole placement

