

# DATASHEET

Type: **KNOT**  
Name: Pendant light  
ID: US1018  
Designed by: Chiamonte Marin



Download

## Description

KNOT is a collection of stately pendent lights that appose two dramatically dissimilar materials. The design combines coarse natural fibre with smooth, transparent handblown glass to arouse a contrast as striking as it is dignified.

## Tech. description

The light comprises a glass shade, glass diffuser, metal component with LED module, and linen rope and is suspended from the ceiling canopy with a special bracket. The bottom section of the light is engineered as SELV.

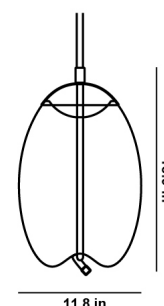


Available colour options: <https://mbapi.cz/red/pis/us/en/us1018>

## CONSTRUCTION SPECIFICATION

**Weight:** 15.43 lb  
**Construction material:** glass, metal, linen rope  
**Cord length [in]:** Individual, max. 196.85 "  
**Mounting:** Ceiling  
**Environment:** Dry

## DIMENSIONS [in]



## ELECTRICAL SPECIFICATION

**Input voltage [V]:** 100 - 240 V  
**Frequency [Hz]:** 50-60 Hz  
**Max. power [W]:** 8 W  
**Coverage IP:** 20  
**Socket:** -  
**Light source:** LED module

## CERTIFICATIONS



BROKIS S.R.O.  
ŠPANIĚLOVA 1315/25  
163 00 PRAHA 6 - ŘEPY  
CZECH REPUBLIC

ORG ID 64940799  
VAT ID CZ64940799  
C 42174 MĚSTSKÝ SOUD  
V PRAZE

TEL +420 567 211 517  
TECHNICAL@BROKIS.CZ  
INFO@BROKIS.CZ  
WWW.BROKIS.CZ

2022\_06  
PAGE 1



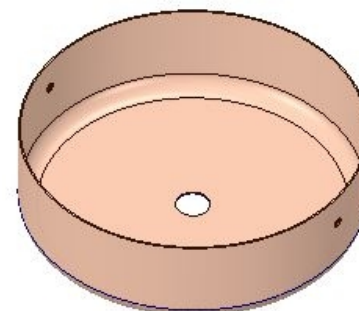
### CM13435 LED MODUL\_D125\_14LED\_RA90\_3,9W\_ KNOT CV 2700K DNA

Type	LED module
Lamp wattage [W]	3,9 W
Input voltage [V]	24 VDC
Energy class	E
Flux [lm]	477 lm
Light colour [K]	2700 K
CRI	93
Dimmable	yes

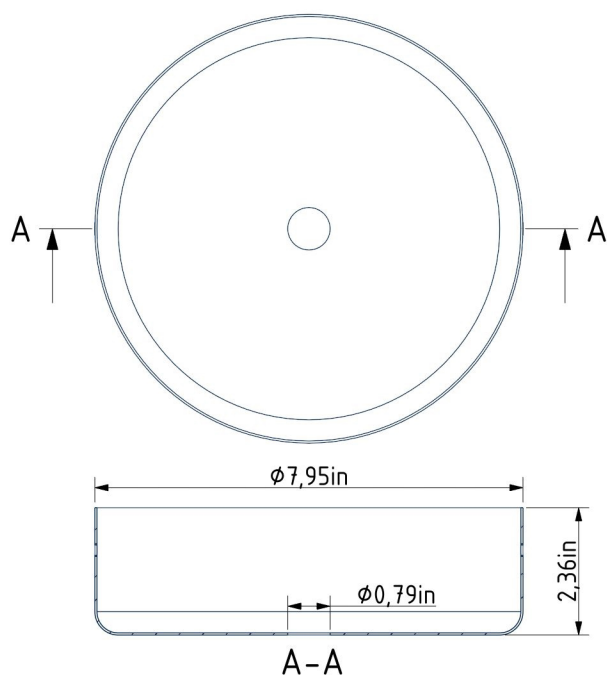


### INNER FIXTURE

Dimensions O x w [in] 7.95 x 2.36  
Weight [lb] 2.5 lb  
Material metal



### Drawing



### Hole placement

